



SuperPower

pump



Emaux has been working designing & manufacturing swimming pool pumps to get reliable ones.. The direct approach with the market tells us that there's a need for strong, reliable and very performant pump to suit the professionals needs on new installations and retrofit. And we listen our customers, the result the SuperPower pump.



why SuperPower

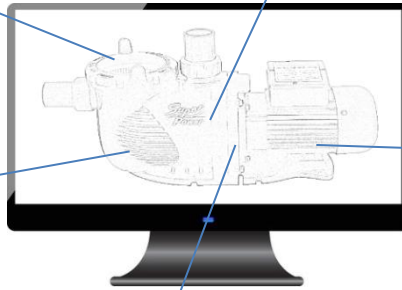
Tool-free ring locking



Corrosion proof impeller.
Stainless steel shaft
AISI316



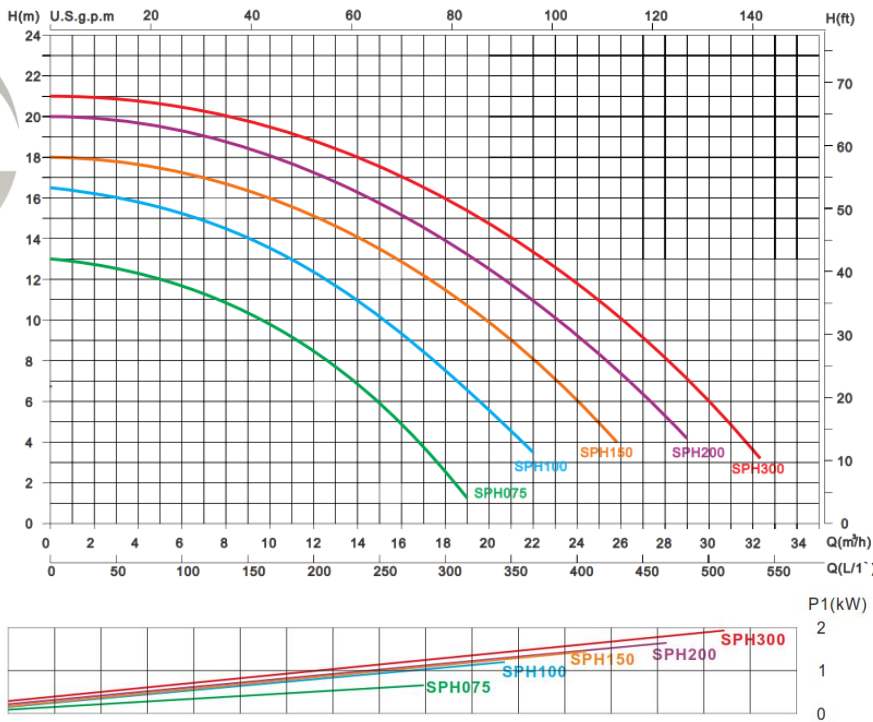
Direct replacement for other pumps



Quiet operation 65dB @ 1m.

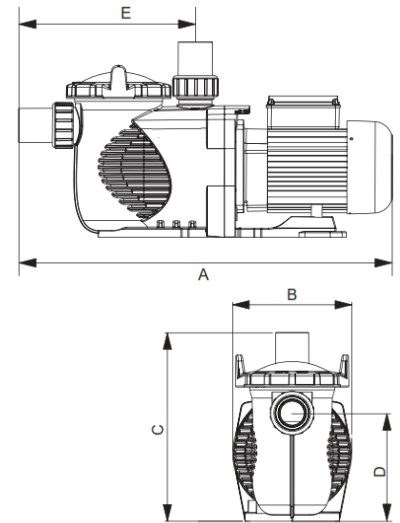


Easy service design, only 4 bolts to disassemble completely.



| 220V 50 Hz | 220V 60 Hz | model | In/out (thread) (adaptor 50 mm glue included) | Power |
|---------------|---------------|--------|--|-------------------|
| 88029604 | 88029704 | SPH075 | 1 ½" (internal) / 2" (external) | 0.55 kW / 0.75 HP |
| 88029605 | 88029705 | SPH100 | 1 ½" (internal) / 2" (external) | 0.75 kW / 1.0 HP |
| 88029607 | 88029707 | SPH150 | 1 ½" (internal) / 2" (external) | 1.1 kW / 1.5 HP |
| 88029608 | 88029708 | SPH200 | 1 ½" (internal) / 2" (external) | 1.5 kW / 2.0 HP |
| 88029609 | 88029709 | SPH300 | 1 ½" (internal) / 2" (external) | 2.2 kW / 3.0 HP |

| model | A mm | B mm | C mm | D mm | E mm | Kg | Cond. (220V) |
|--------|------|------|------|------|------|-------|--------------|
| SPH075 | 652 | 215 | 340 | 195 | 308 | 13.61 | 20 μF |
| SPH100 | 652 | 215 | 340 | 195 | 308 | 13.64 | 25 μF |
| SPH150 | 652 | 215 | 340 | 195 | 308 | 13.64 | 25 μF |
| SPH200 | 652 | 215 | 340 | 195 | 308 | 13.66 | 30 μF |
| SPH300 | 682 | 215 | 340 | 195 | 308 | 21.25 | 35 μF |



main features

- Motor**
- .IP55 Class F .2850 rpm .220/380V 50Hz .Asynchronous two poles
 - .Thermal or Over Current protection
 - . Bearing type: Deep groove ball bearing (NSK 6204), temperature rating 120 °C
- Operating conditions**
- .Water temperature range 5 – 50°C .Ambient 45°C . Max. working pressure 2.5 bar
- Materials**
- .Pump casing ABS + % glass filled .Impeller PPO (SABIC) .Motor shaft SS316 .Strainer basket and base in PP + % Glass filled .Seals bellows-EPDM stationary face-SiC rotating face-Graphite Spring-SS316
- Features**
- .Direct replacement for other model pumps .Quiet operation 65 DB@1m .Corrosion proof impeller with smooth & wide opening to prevent clogging or fouling .Thermoplastic casing & internals .Stainless Steel motor shaft for corrosion resistance & extended life .Self-priming up to 12' above water level .Easy service design, motor and entire drive group assembly can be removed, without disturbing pipe or mounting connections, by disengaging 4 bolts only
 - .Transparent lid for quick inspection .Tool-free ring locking, simple maintenance.