



GPD Series Circulation Pumps

GPD series CIRCULATION PUMPS



HEFEI XINHU CANNED MOTOR PUMP CO.,LTD

Contents

- 01/ Company profile
- 03/ Structural diagram
- 05/ Structure Material table
- 06/ Type key
- 07/ Application Product selection
- 08/ type spectra
- 09/ Installation Working conditions
- 11/ Parameter table for 270W Pumps and below
- 12/ Parameter table for 300W Pumps and above
- 13/ GPD series technical data

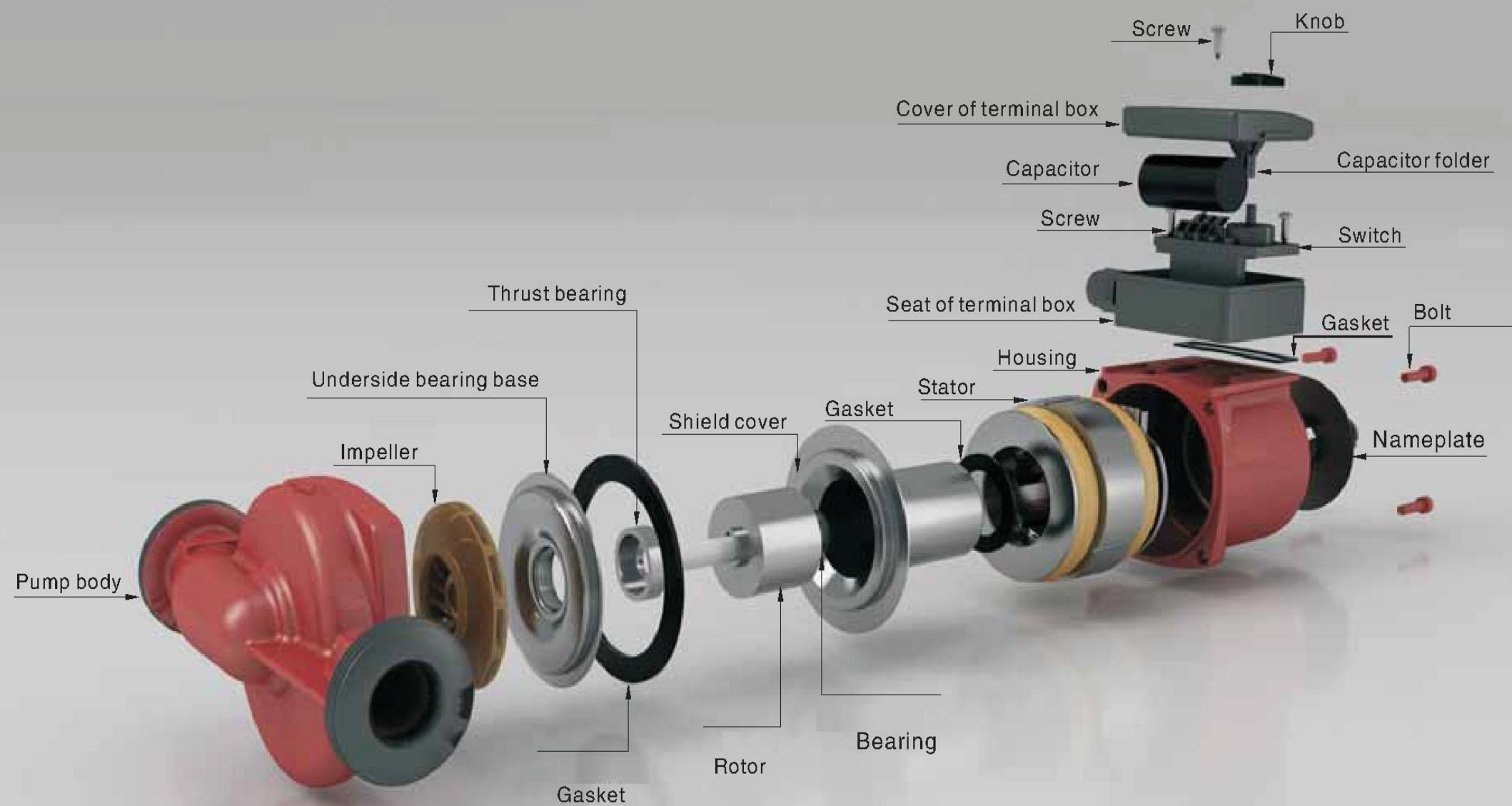


Company Profile

Hefei Xinhu Canned Motor Pump Co., Ltd. is a large-scale modern production base invested and built by Shanghai Xinhu Electric Machine Co., Ltd. The Manufacturing Capability of a variety of products is around 1 million pcs annually.

Shanghai Xinhu Electric Machine Co., Ltd. was once called State-run Shanghai XINHU Electric Machine Company which was founded in 1956 as the earliest large enterprise specialized in the production of canned motor and canned pumps in China. For more than 50 years Xinhu determined to be committed to product research and development and quality promotion with industry and customer requirements as the orientation. Our products are now sold abroad to many regions and countries in Europe, America and Asia, and widely used in many areas such as chemical industry, petrification, petroleum refining, textile industry, locomotive, central air-conditioning, aerospace, military industry, nuclear power, air conditioning system cooling, heating circulating water supply, construction, environmental protection, ventilation and new energy. With outstanding quality and perfect after-sale service, Xinhu has gained a high reputation in the market. In order to satisfy the rising demand, in 2007 Shanghai Xinhu constructed a modern plant covering an area of 100 thousand square meters in National Hi-tech Developing Zone in Hefei, Anhui province, with a total investment of 300 million Yuan and the new plant has started running since 2009. While importing internationally advanced managerial experience and kinds of first-rate manufacturing and testing equipments, we have also introduced a large number of senior experts in every field such as hydromechanics, machinery, electrical machine, control, material, and technology to take advantage of advanced computer technology and make scientific and technical innovation constantly. All these have constituted the core competence of Xinhu. Based on the standard of ISO9001: 2008 Quality management system, Xinhu has set up a complete set of design, producing, service and marketing system and has obtained a number of certifications such as ISO9001: 2008 Quality Management System Certification, ISO14000:2004 Environment Management System Certification, GS certificate, UL certificate, CE certificate, CCC certificate for national compulsory products and RoHS certificate, all of which have ensured the stability, reliability, durability and high efficiency of our products.

We have 25 series of canned motor pump with thousands of specifications: H series for chemical industry, NP series for absorption air condition, GPD series for pipeline, CP series for sanitary bath equipment, GP series for cold and hot water circulation pipeline, special pumps for military industry, such as military naval vessel and so on. With advanced technology, equipments, crafts, testing methods and management modes, we have perfectly satisfied general and special requirements for non-leakages delivery of various kinds of fluid. With respect to the spirit of science and innovative, we sincerely would like to cooperate with all customers in China or abroad, and create a splendid future together!



Structure

1. Pump contains two parts: hydraulic section and motor(with wet rotor). Hydraulic section contains pump body、impeller while motor includes stator、rotor、cartridge and air-venting nut.
2. Tightness: the pump does not use mechanical seal. Stator and rotor are sealed with cartridge made of stainless steel and two heat-resistant rubber rings, which makes no leakage.
3. Lubrication of bearings and cooling of motor by inner circulation of pumped liquid.
4. Insulation class H, motor fixed with thermal protector, one speed or three speeds.

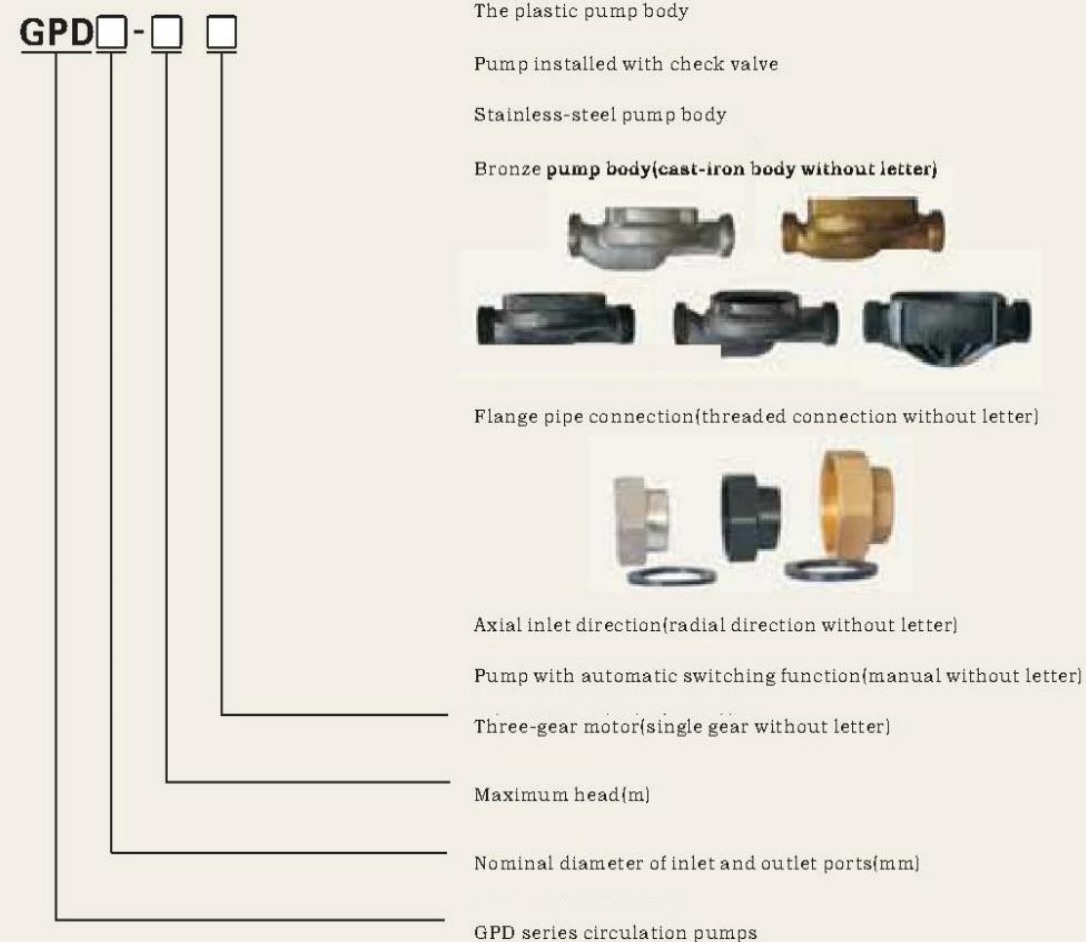
主要零部件材质表 Material table

No.	Name	Material
1	泵体 Pump body	铸铁/不锈钢/塑料/铜 Cast iron/Stainless steel/Plastic/Copper
2	叶轮 Impeller	工程塑料 Engineering plastic
3	轴 Shaft	陶瓷/不锈钢 Ceramic/ Stainless steel
4	轴承座 Bearing base	不锈钢 Stainless steel
5	推力轴承 Thrust bearing	浸渍石墨/碳化硅 Impregnated Carbon/ Silicon Carbide
6	轴承 Bearing	陶瓷/浸锡石墨 Ceramic/ Baptist antimony graphite
7	推力轴承座 Base of thrust bearing	不锈钢/橡胶 Stainless steel/ Rubber
8	屏蔽套 Shield cover	不锈钢 Stainless steel



Type key

Name of model is formed of uppercase latin letters and arabic numbers. Its meaning is as following:



Example: GPD32-8SF is three-gear pump with cast-iron pump body and flange connection. Its diameter of inlet and outlet is 32 mm, max. head is 8 m.

Application

Single-phase canned motor circulation pumps designed and produced by our specialists have these feature: low noise, no leakage, ecological safety in operation, artistic appearance, easy installation and reliable operation. Pumps can be used in single pipe or double pipe heating system, also can be applied to city apartments, suburb villa, cooling, air-conditioning, boilers and solar systems etc.

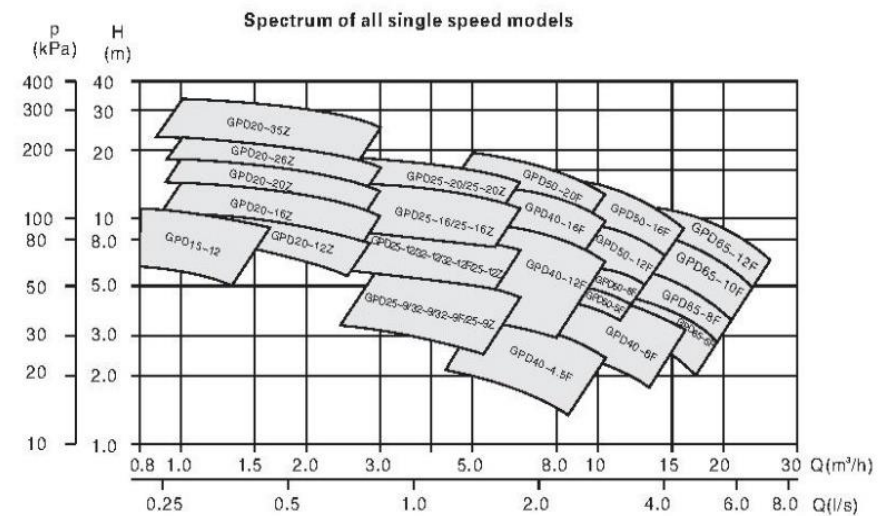
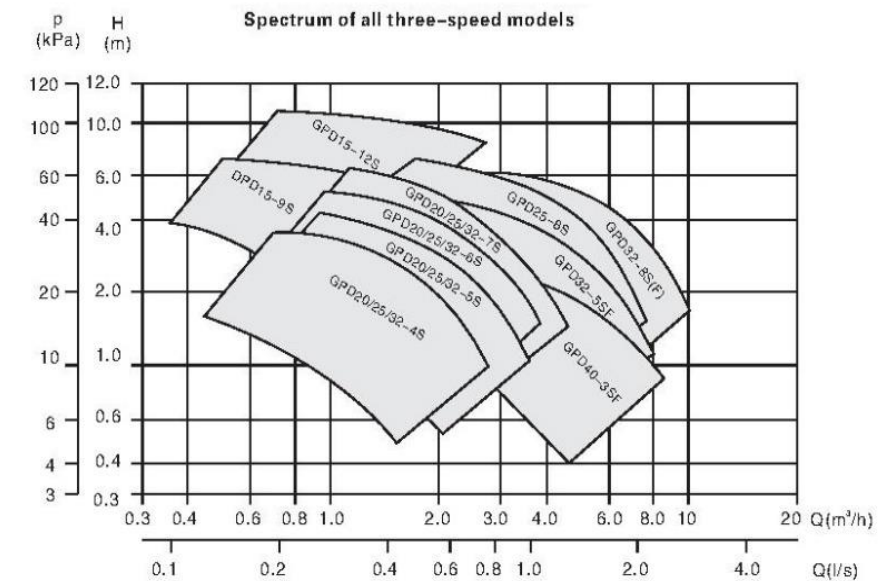
Product selection

Users can select a model from the type spectra according to the required parameters of head and flow.

GPD series has two kinds of pipe connection: threaded and flange. Models with power above 300W mainly have flange connection. We can make customised design according to your needs.

Pump body is generally made of cast iron. Bronze and stainless steel are also available.

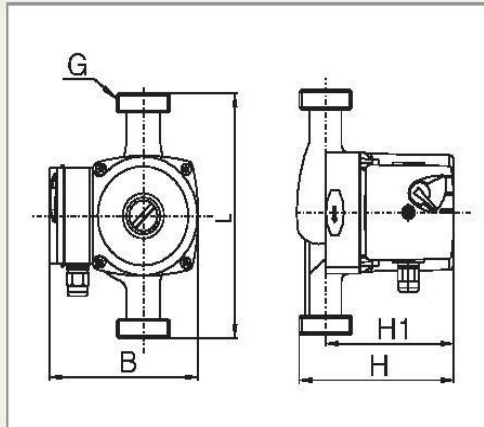
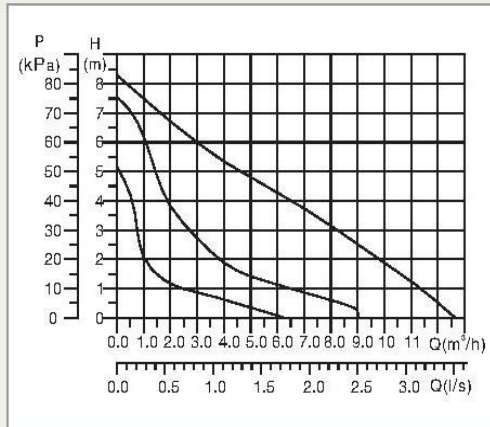
Pump of cast iron body is widely used for delivering water of room temperature. Pump of bronze body is largely used in the underground heating system. For delivering domestic hot water we recommend using pump of stainless steel body(GPD-N) or bronze body(GPD-B).



MODEL

GPD25-8S/32-8S

■ Technical data



Model	Max. Flow (m³/h)	Rated Power (W)	Rated Current (A)	Power(W) Input/Output	Voltage(V)		Material			
					115	230	Cast Iron	Plastic	Copper	Stainless steel
GPD25-8S	6	245/190/135	1.1/0.85/0.60	245/90	●	●	●		●	
GPD32-8S	8				●	●	●			●

Model	Dimension					Weight(Kg)		Volume (m³)	Connection/Flange	Package size(mm x mm x mm)	
	L	H	H1	B	G	N.W.	G.W.			Inner box	Outer box
GPD25-8S	180	160	130	150	11/2"	4.8	5.5	0.0063	1 1/2"-1"	200 x 165 x 190	410 x 340 x 195
GPD32-8S	180	160	130	150	2"	4.6	5.6	0.0063	2"-1 1/4" or 1 1/2"	200 x 165 x 190	410 x 340 x 195

GPD series CIRCULATION PUMPS



GPD32-8S

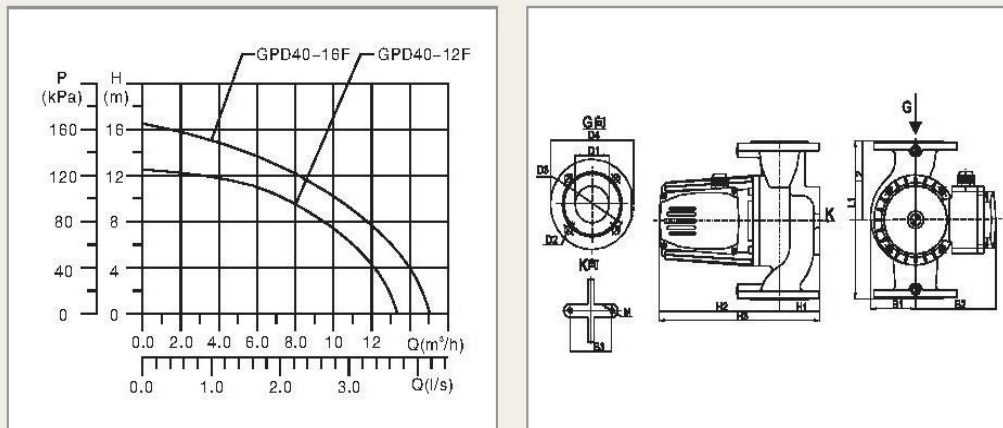


GPD25-8S

MODEL

GPD40-12F/40-16F

Technical data



Model	Rated flow (m³/h)	Rated head (m)	Rated Current (A)	Speed (r/min)	Power(W)		Voltage(V)		Material		
					Input/Output	115	230	Cast Iron	Copper	Stainless steel	
GPD40-12F	8	8	3.4	2800	700/400		●	●			
GPD40-16F	8	12.5	4.9	2800	1000/600		●	●			

Model	Dimension													
	H1	H2	H3	L1	L2	B1	B2	B3	D1	D2	D3	D4	M	
GPD40-12F	65	232	297	250	115	80	154	80	40	13.5	100	130	M10	
GPD40-16F	65	232	297	250	115	80	154	80	40	13.5	100	130	M10	

Model	Weight(Kg)		Volume (m³)	Connection/Flange	Package size(mm x mm x mm)
	N.W.	G.W.			
GPD40-12F	15.3	18.4	0.026	DN40	260×260×330
GPD40-16F	16.9	20	0.026	DN40	260×260×330

GPD series CIRCULATION PUMPS



GPD40-12F



GPD40-16F